



Vmax

PAPER CRAFT

Assembly Instructions



Thank you for downloading the "VMAX" paper craft model. By simply following this manual while referring to the names and numbers shown on the parts sheets, you can assemble an authentic-looking replica of the VMAX.

- Assembly instructions: Fifteen A4-sized sheets.
- Paper craft: Sixteen A4-sized sheets with 174 parts in all

These instructions apply only to the "VMAX".

These Paper Craft parts are easier to work with when printed out on strong, thick paper (like postcard stock).

*In creating these Paper Craft models we use 135kg Kent paper stock (0.18mm).

TO BEGIN

■ Tools and materials needed

-Ruler -Scissors - Blade cutter or "Exacto-knife" - Awl or other pointed tool (for making a folding crease) - Felt pen - Pin set - Glue - Hand towel (for cleaning your fingers) - Dictionary or other heavy book (to press the papers flat)

■ Item of Caution

*Take care when using sharp or pointed objects or when using bladed cutting tools. Place a heavy sheet of paper under the paper you want to cut.

*Use glue and other adhesives only in well-ventilated areas.

*When printing, use a slightly reduced font size as there are many differences in dimensions depending on the type of printer used.

HOW TO ASSEMBLE

*Follow the working method and markings carefully.

*Cut carefully along the outer line with a cutting blade, Exacto-knife or scissors.

One - point Advice

*Cut carefully with a cutting blade, Exacto-knife or scissors.

*For folding parts, first use an awl or other pointed tool to make a light crease along the dotted or solid line. This will make the folds straight. Avoid making strong creases, as this will cause the paper to tear.

*As an adhesive, white, wood glue is recommended. Avoid over application as this will cause the paper to wrinkle.

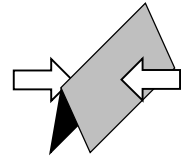
*Before beginning assembly, test adhesive amounts on extra paper.

*Occasionally, white spots will be apparent on folds and cuts. Use a marker or pencil to fill-in these spots. It is recommended that this be done after each stage of assembly because coloring becomes more difficult once parts are assembled.

Basic working method and markings

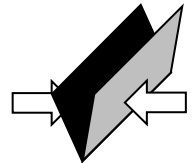
Solid lines

Fold along these lines. The printed surface should be on the outside of the folded shape.



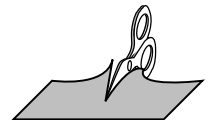
Broken lines

Fold along these lines. The printed surface should be on the inside of the folded shape.

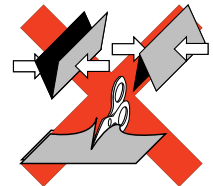


Dotted line

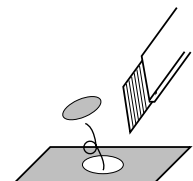
Cut along these lines



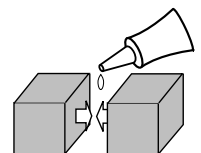
Do not fold or cut the parts marked .



Cut out parts marked with an asterisk (*).



Red dots are the reference positions for gluing surfaces.



1 Assembling the Body

First, assemble each component by following the working method and markings. Then, refer to the illustration and photos below to glue the parts together.

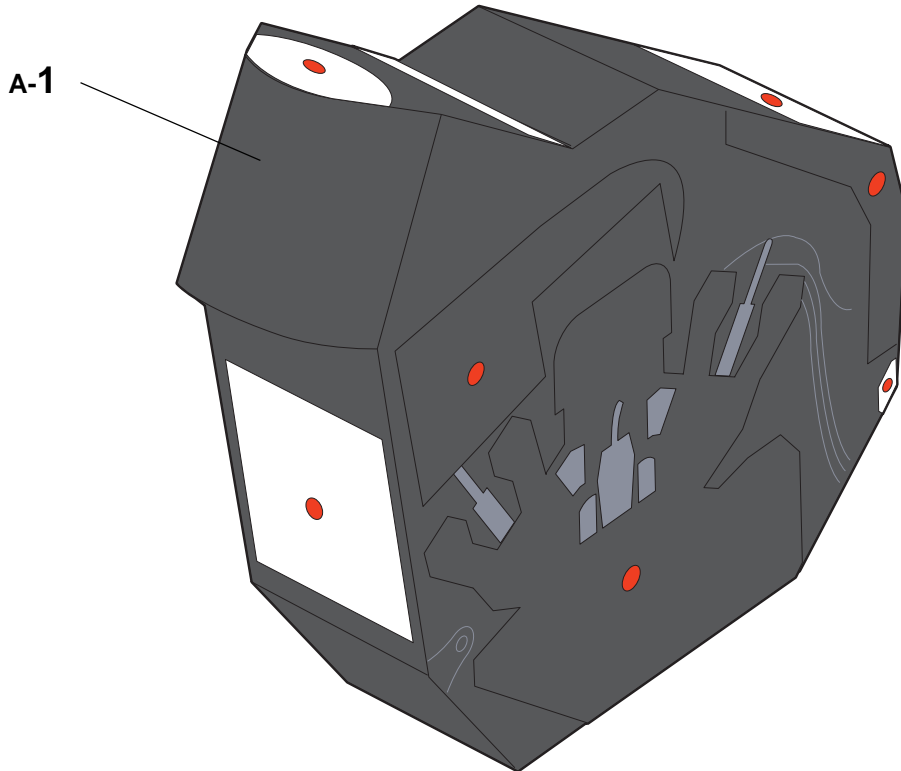
Indication of Working Methods

▄▄▄▶ Fold or Curve ▶ Glue

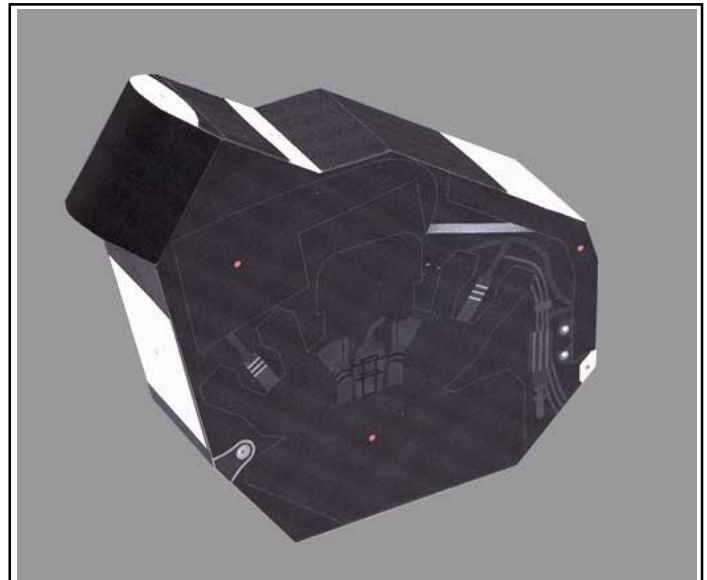
Body

Sheet A, 1 part in total

Fold each relevant part according to the assembly symbols.



Reference photo



2 Assembling the Steering Column

First, assemble each component by following the working method and markings. Then, refer to the illustration and photos below to glue the parts together.

Indication of Working Methods



Fold or Curve



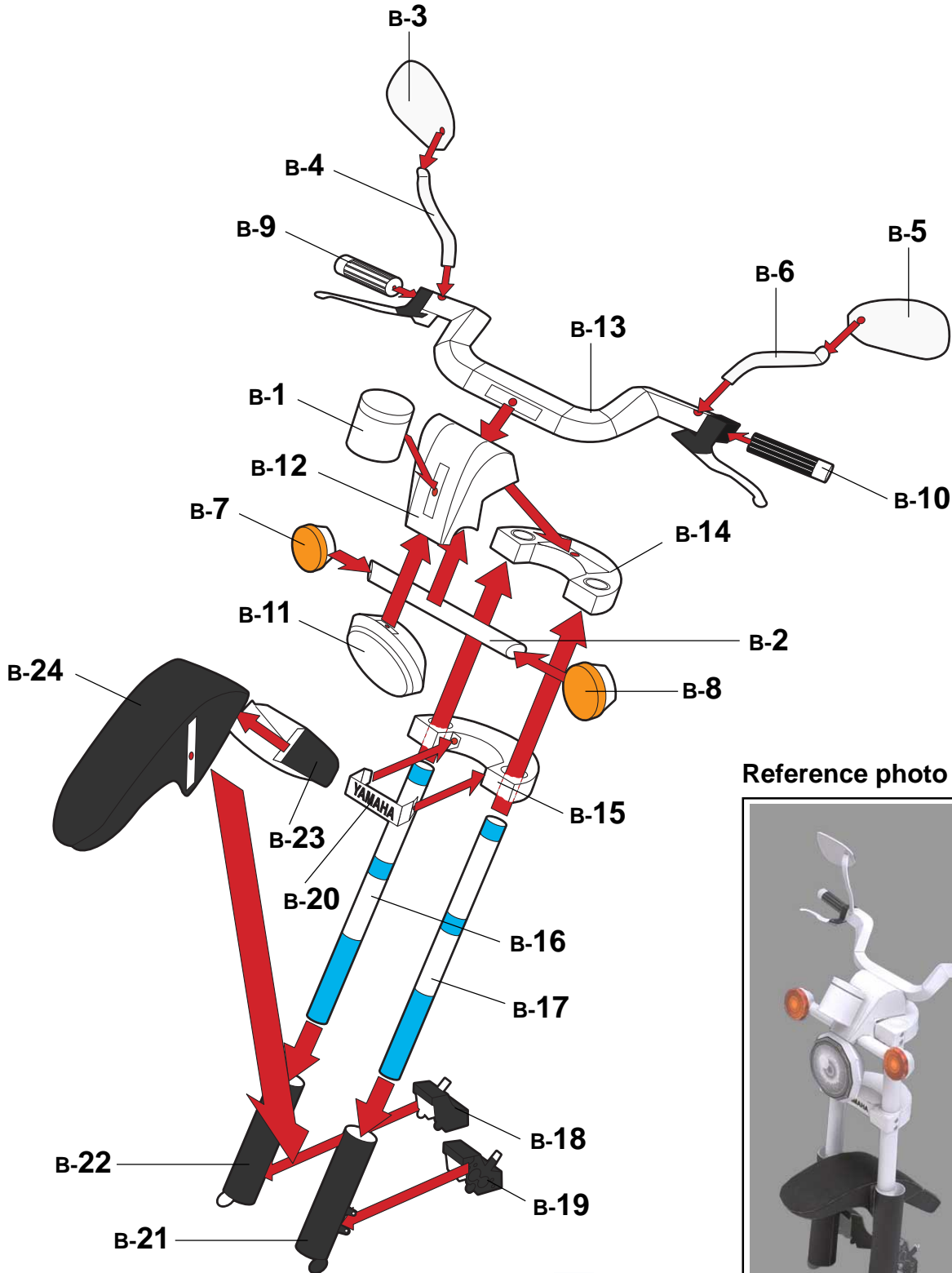
Glue

Steering column

Sheet B, 24 parts in total

Fold each relevant part according to the assembly symbols.

Please use the ● dots on each component as reference when gluing surfaces.



Apply glue on the ■ area indicated in the illustration.

Reference photo



3 Assembling the Top Cover and Intake

First, assemble each component by following the working method and markings. Then, refer to the illustration and photos below to glue the parts together.

Indication of Working Methods

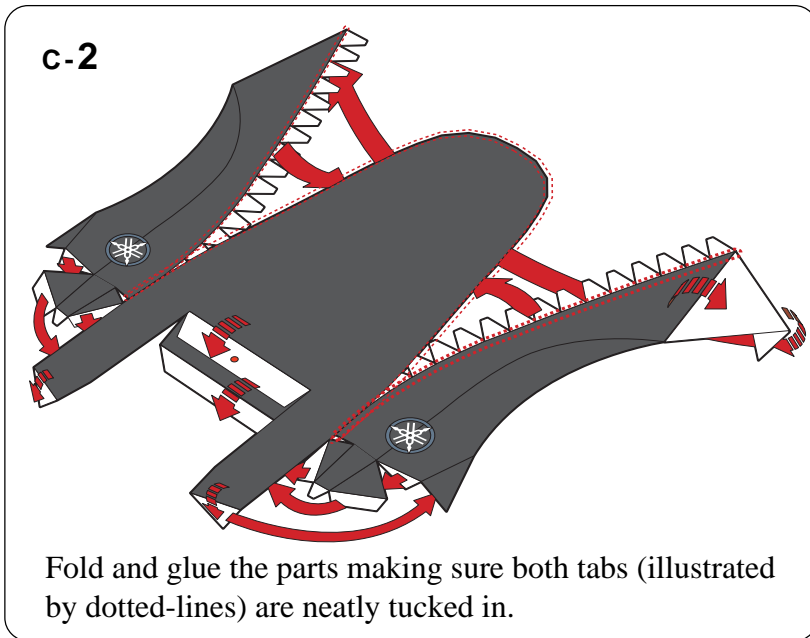
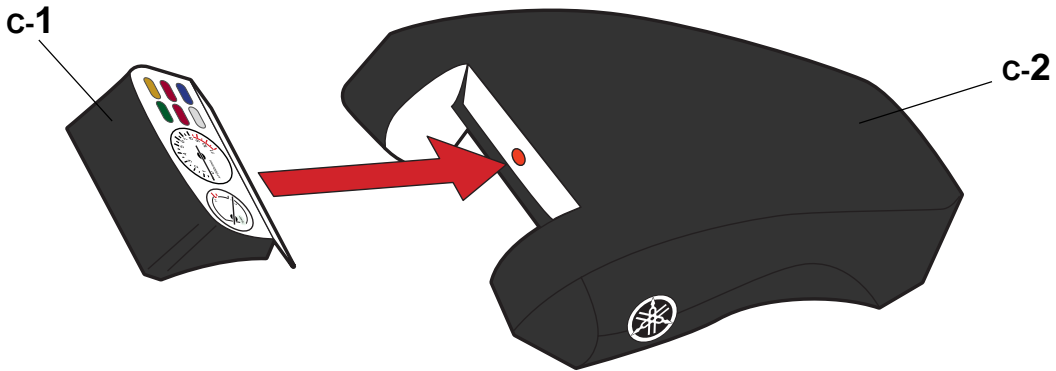
 Fold or Curve  Glue

Top cover

Sheet C, 2 parts in total

Fold each relevant part according to the assembly symbols.

Please use the ● dots on each component as reference when gluing surfaces.



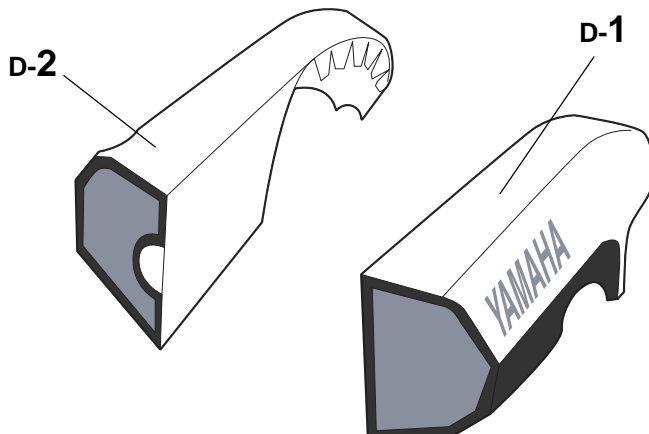
Reference photo



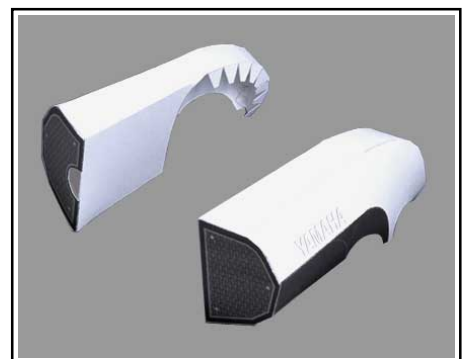
Intake

Sheet D, 2 parts in total

Fold each relevant part according to the assembly symbols.



Reference photo



4 Assembling the Engine

First, assemble each component by following the working method and markings. Then, refer to the illustration and photos below to glue the parts together.

Indication of Working Methods



Fold or Curve



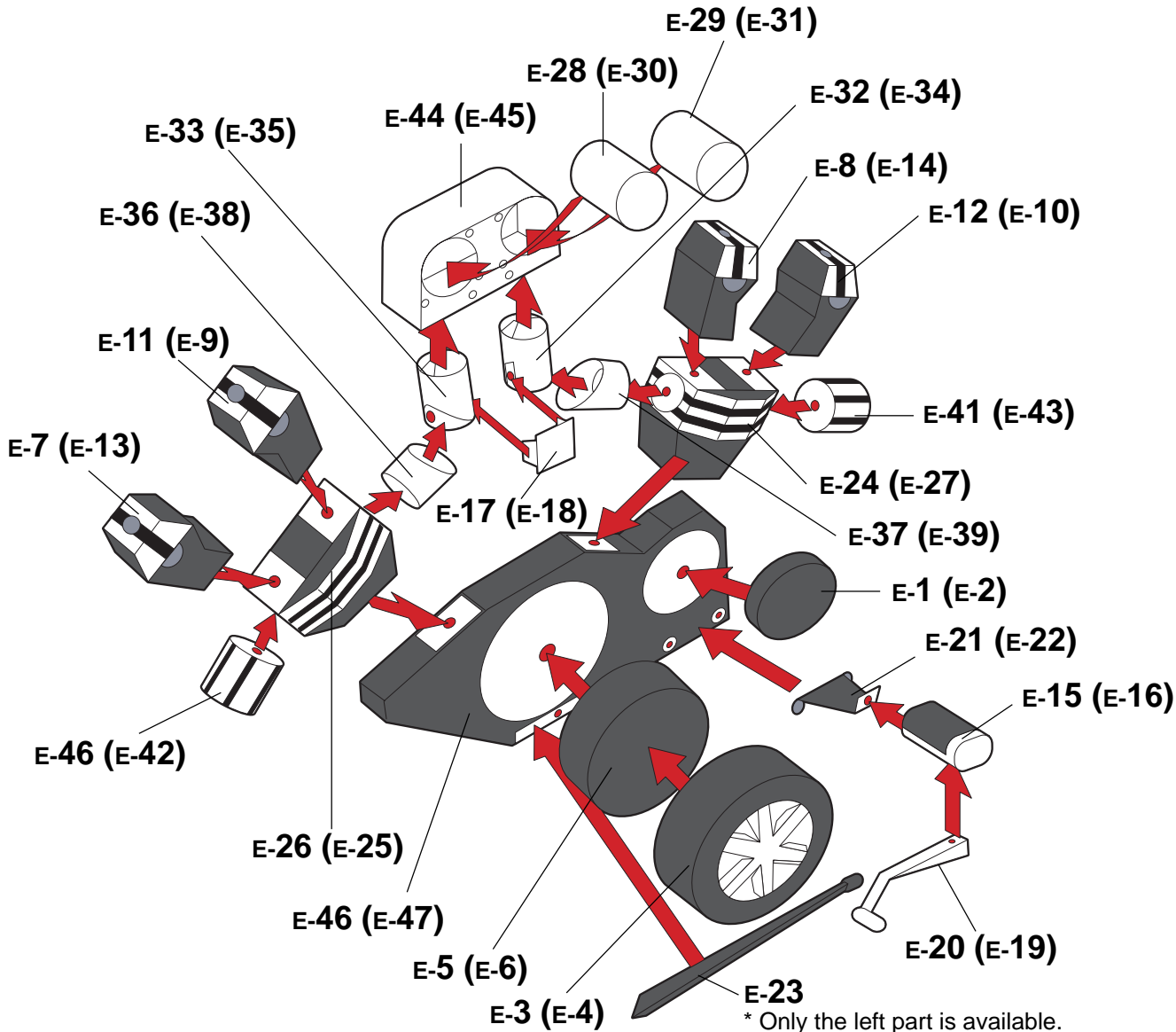
Glue

Engine

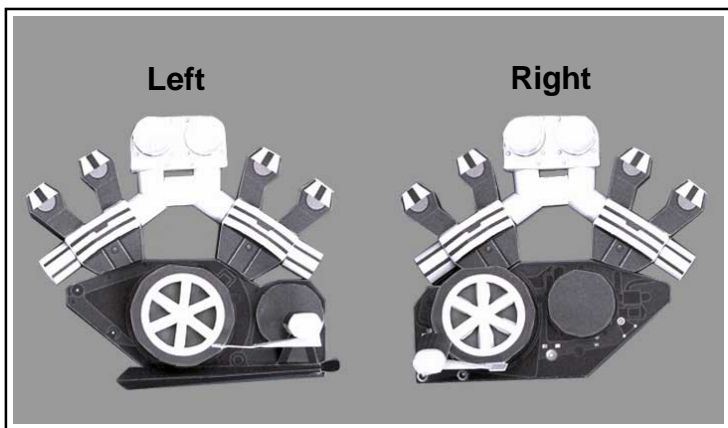
Sheet E, 47 parts in total

Fold each relevant part according to the assembly symbols.

Please use the ● dots on each component as reference when gluing surfaces.



Reference photo



* Make two of each part.

The diagram shows how the left part of the engine looks. The numbers within parentheses indicate parts for the right part of the engine.

5 Assembling the Side Covers

First, assemble each component by following the working method and markings. Then, refer to the illustration and photos below to glue the parts together.

Indication of Working Methods



Fold or Curve



Glue

Side covers

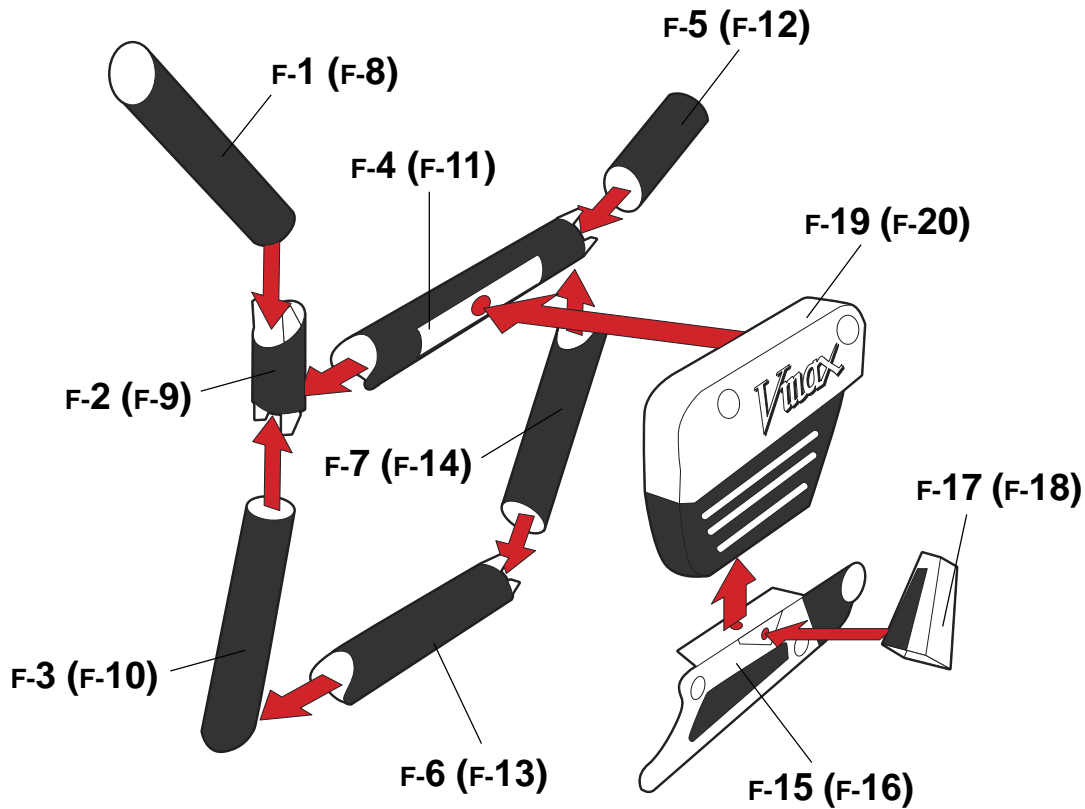
Sheet F, 20 parts in total

Fold each relevant part according to the assembly symbols.

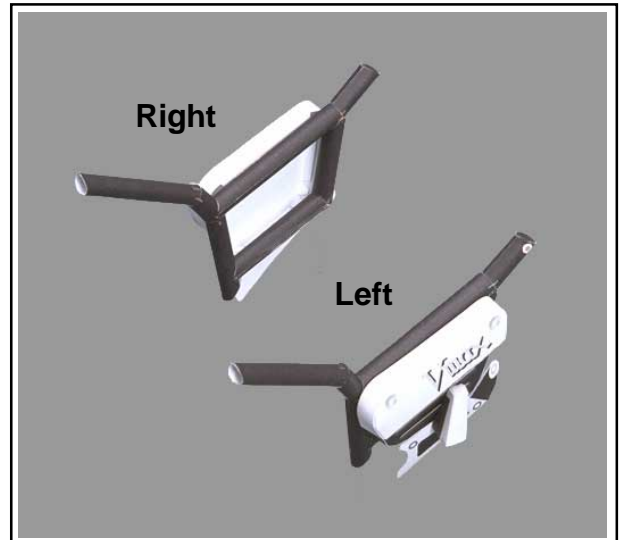
Please use the ● dots on each component as reference when gluing surfaces.

*** Make two of each part.**

The diagram shows how the left frame cover looks. The numbers within the parentheses indicate parts for the right frame cover.



Reference photo



6 Assembling the Exhaust

First, assemble each component by following the working method and markings. Then, refer to the illustration and photos below to glue the parts together.

Indication of Working Methods



Fold or Curve



Glue

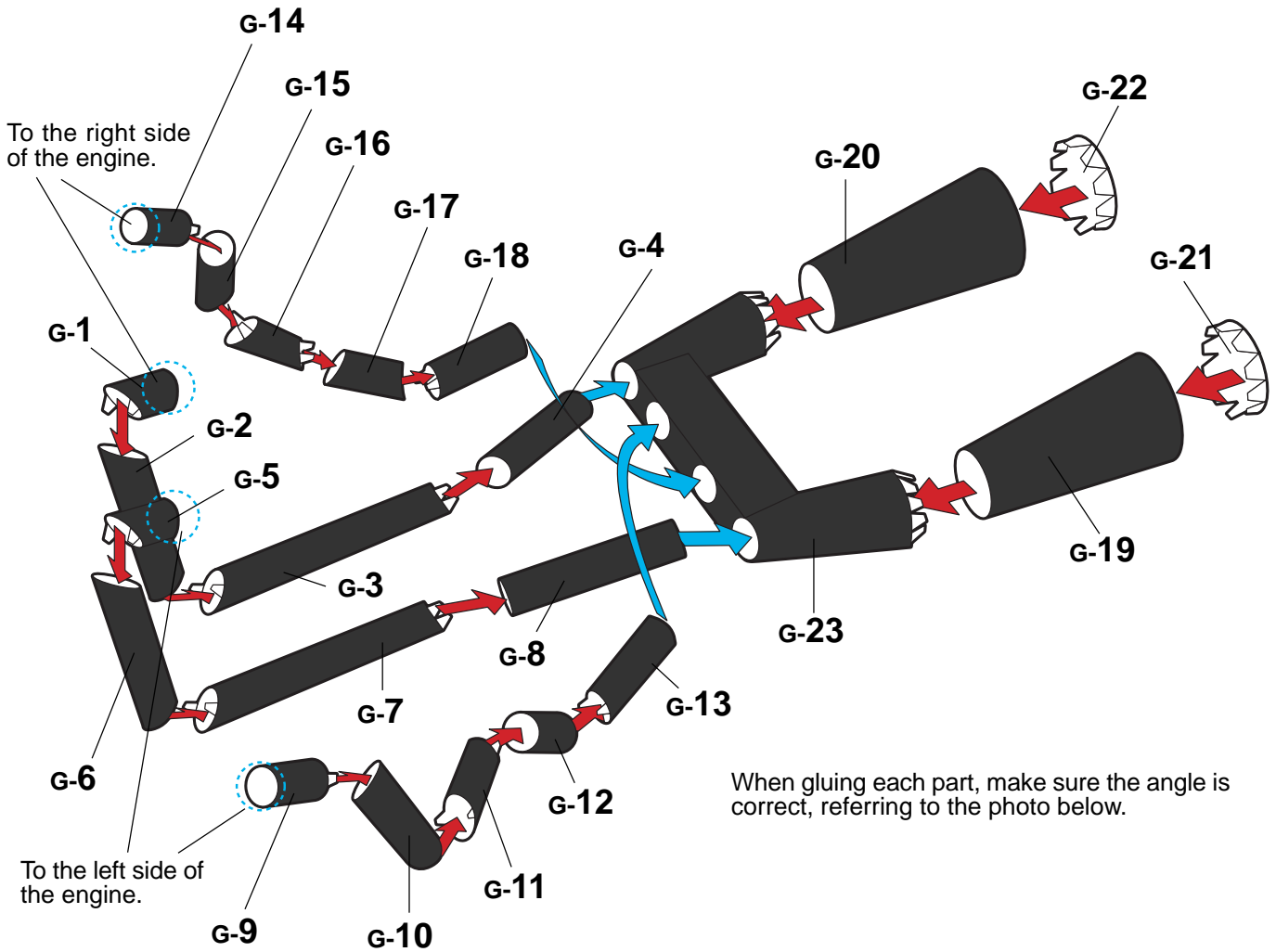
Exhaust

Sheet G, 23 parts in total

Fold each relevant part according to the assembly symbols.

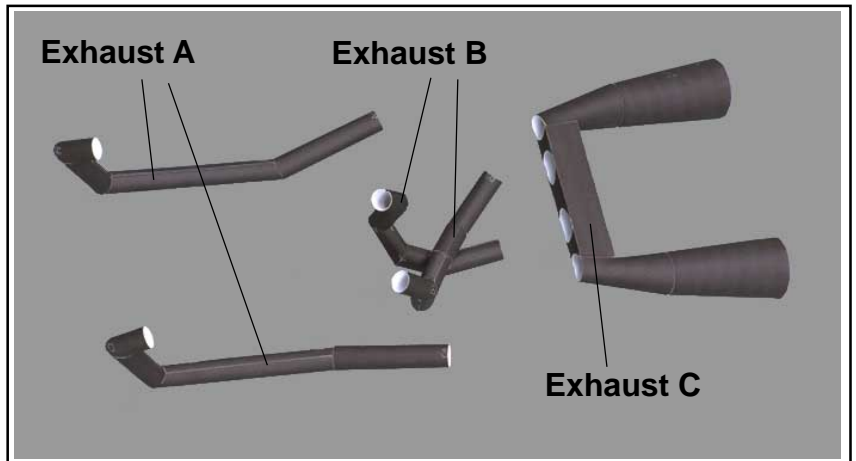
Please use the ● dots on each component as reference when gluing surfaces.

➡ in the diagram indicate where parts are to be glued later.
Please do not glue parts at this stage.



When gluing each part, make sure the angle is correct, referring to the photo below.

Reference photo



Partition of exhaust pipes

- Exhaust A (Right) G-1 to G-4
- Exhaust A (Left) G-5 to G-8
- Exhaust B (Right) G-14 to G-18
- Exhaust B (Left) G-9 to G-13
- Exhaust pipe C G-19 to G-23

7 Assembling the Radiator and Rear Suspensions

First, assemble each component by following the working method and markings. Then, refer to the illustration and photos below to glue the parts together.

Indication of Working Methods



Fold or Curve



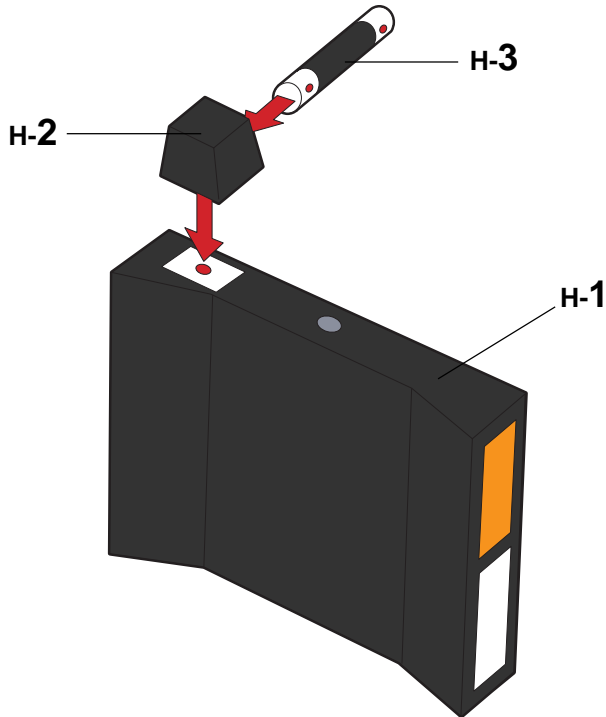
Glue

Radiator

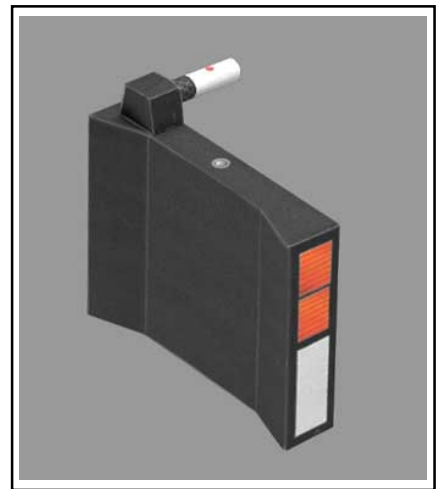
Sheet H, 3 parts in total

Fold each relevant part according to the assembly symbols.

Please use the ● dots on each component as reference when gluing surfaces.



Reference photo



Rear suspensions

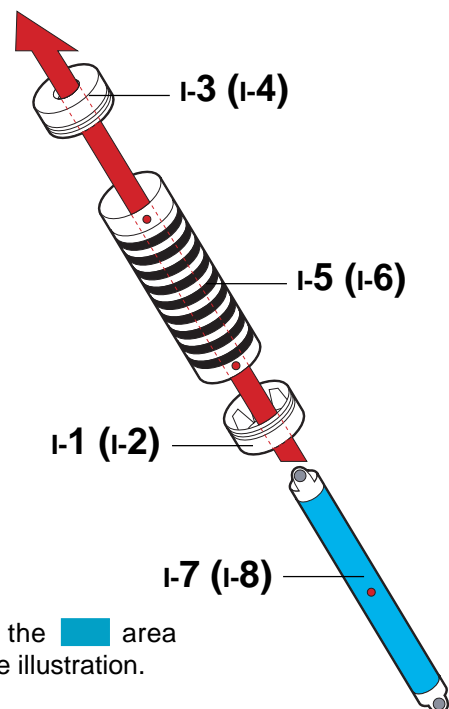
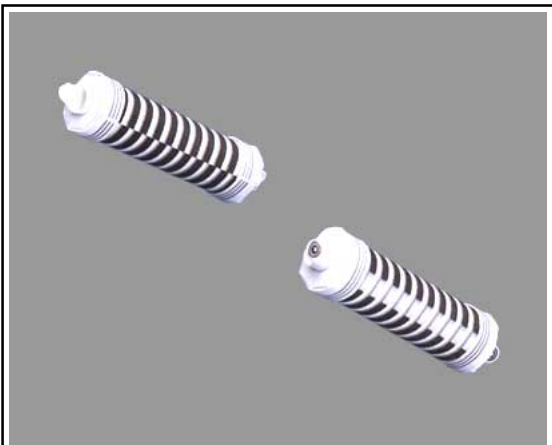
Sheet I, 8 parts in total

Fold each relevant part according to the assembly symbols.

Please use the ● dots on each component as reference when gluing surfaces.

* Make two of the rear suspensions. They should be identical. The numbers within the parentheses indicate the parts for the second suspension.

Reference photo



Apply glue on the ■ area indicated in the illustration.

8 Assembling the Rear Fender and Seat

First, assemble each component by following the working method and markings. Then, refer to the illustration and photos below to glue the parts together.

Indication of Working Methods

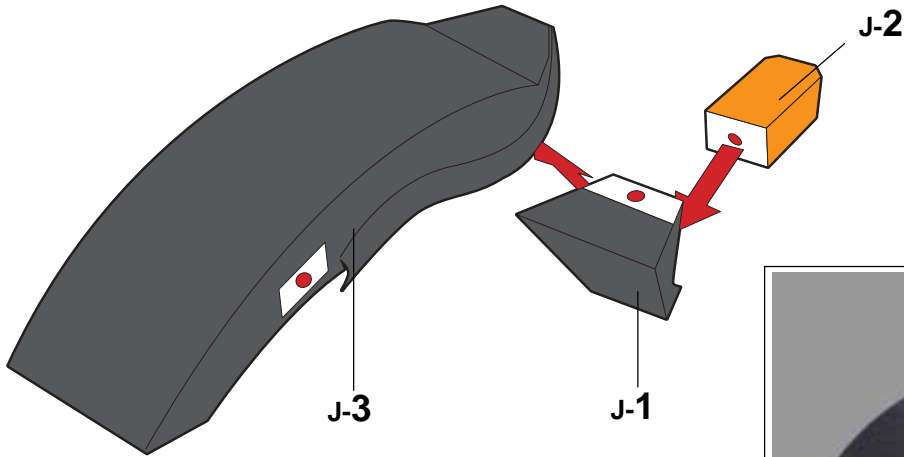
 Fold or Curve  Glue

Rear fender

Sheet J, 3 parts in total

Fold each relevant part according to the assembly symbols.

Please use the ● dots on each component as reference when gluing surfaces.



Reference photo

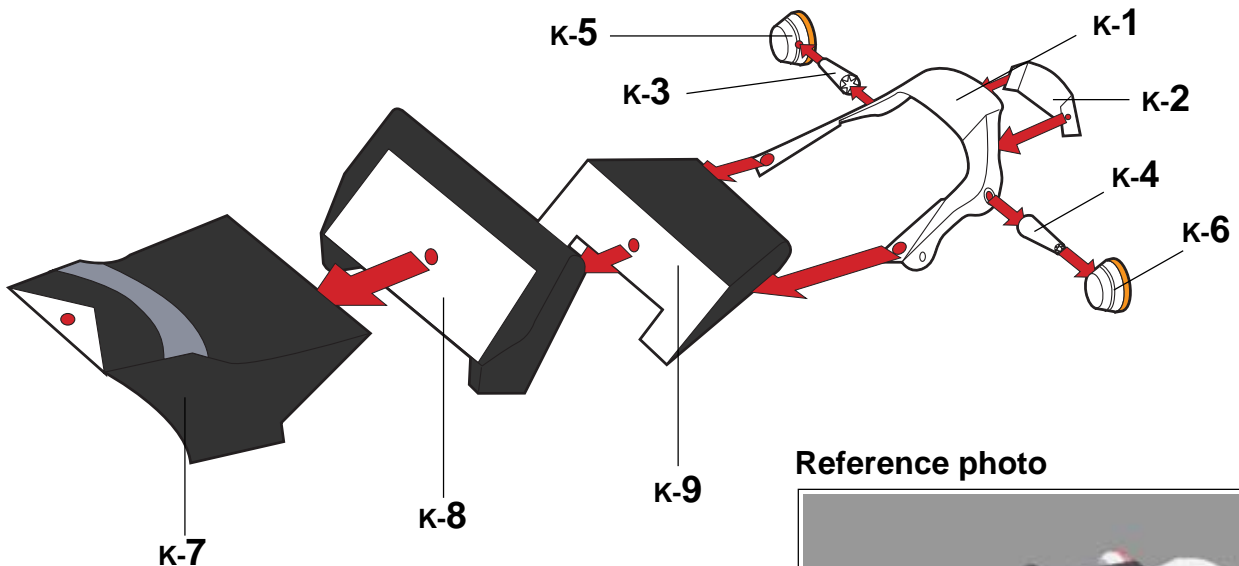


Seat

Sheet K, 9 parts in total

Fold each relevant part according to the assembly symbols.

Please use the ● dots on each component as reference when gluing surfaces.



Reference photo



9 Assembling the Front Tire

First, assemble each component by following the working method and markings. Then, refer to the illustration and photos below to glue the parts together.

Indication of Working Methods



Fold or Curve



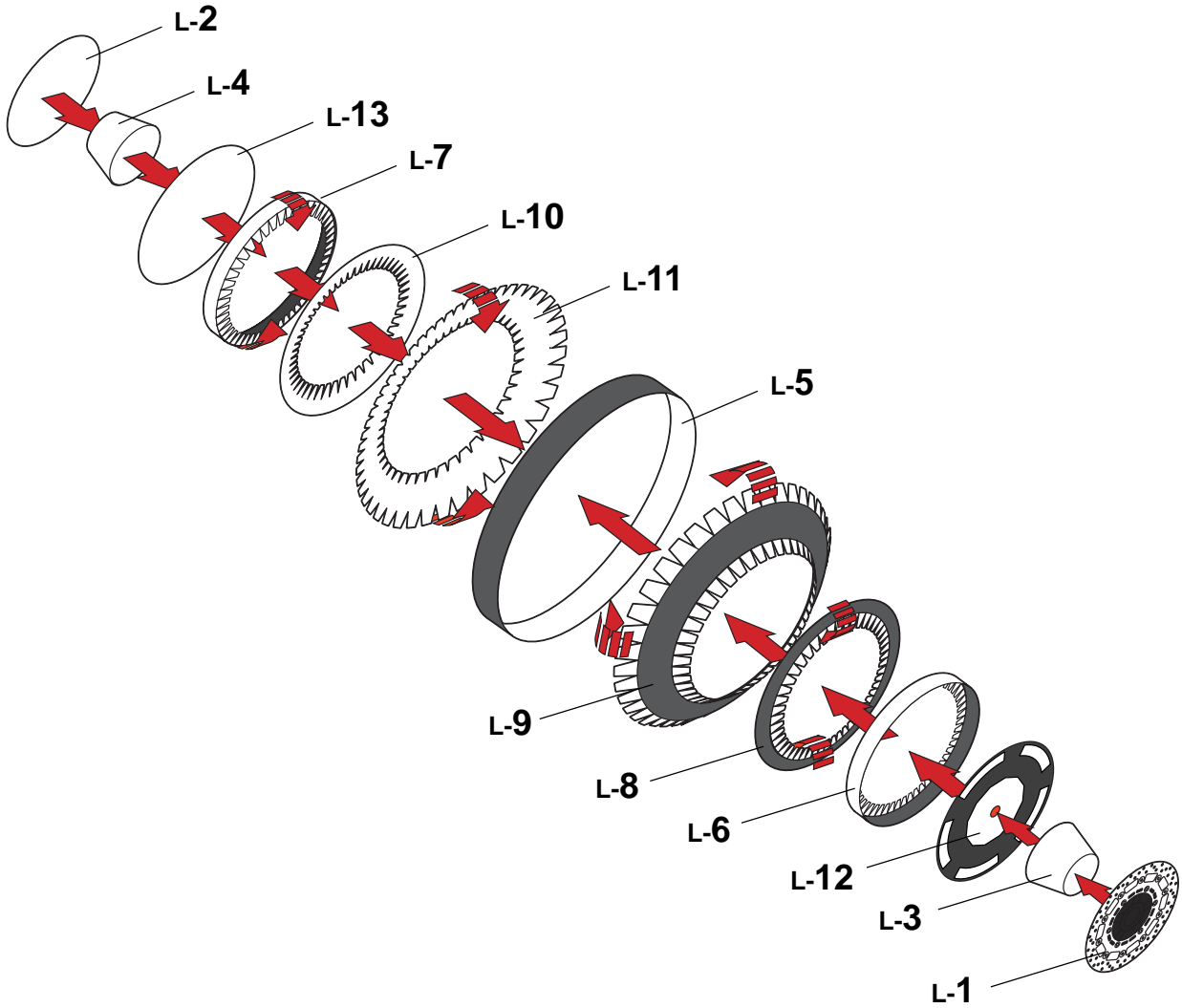
Glue

Front tire

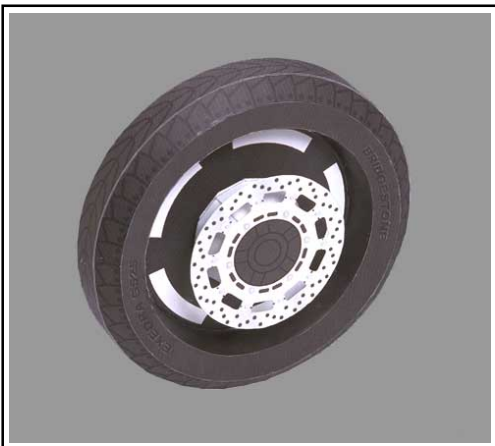
Sheet L, 13 parts in total

Fold each relevant part according to the assembly symbols.

Please use the ● dots on each component as reference when gluing surfaces.



Reference photo



10 Assembling the Rear Tire

First, assemble each component by following the working method and markings. Then, refer to the illustration and photos below to glue the parts together.

Indication of Working Methods



Fold or Curve



Glue

Rear tire

Sheet M, 19 parts in total

Fold each relevant part according to the assembly symbols.

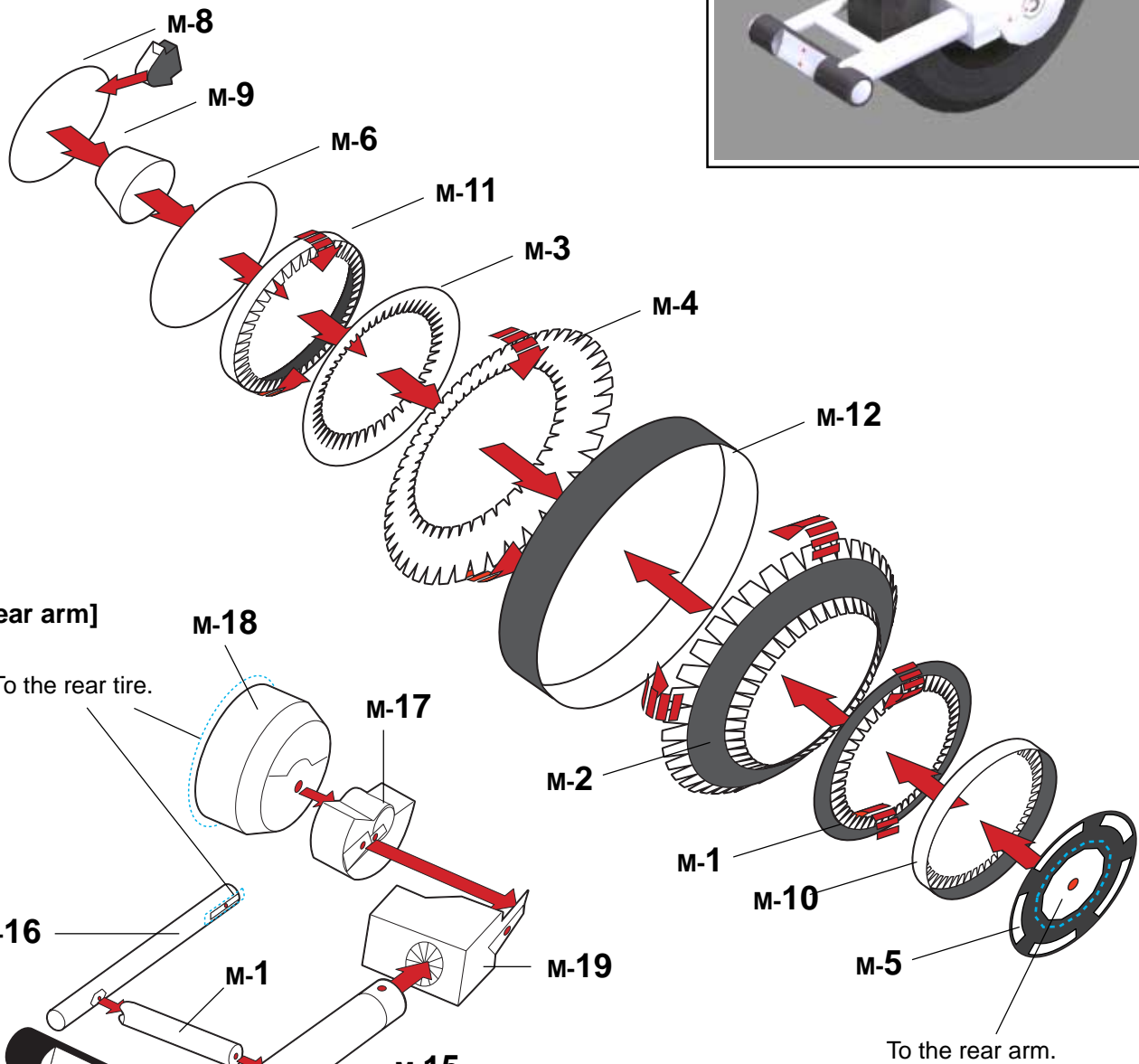
Please use the ● dots on each component as reference when gluing surfaces.

*Glue the completed rear arm to the assembled rear tire.

Reference photo



[Rear tire]



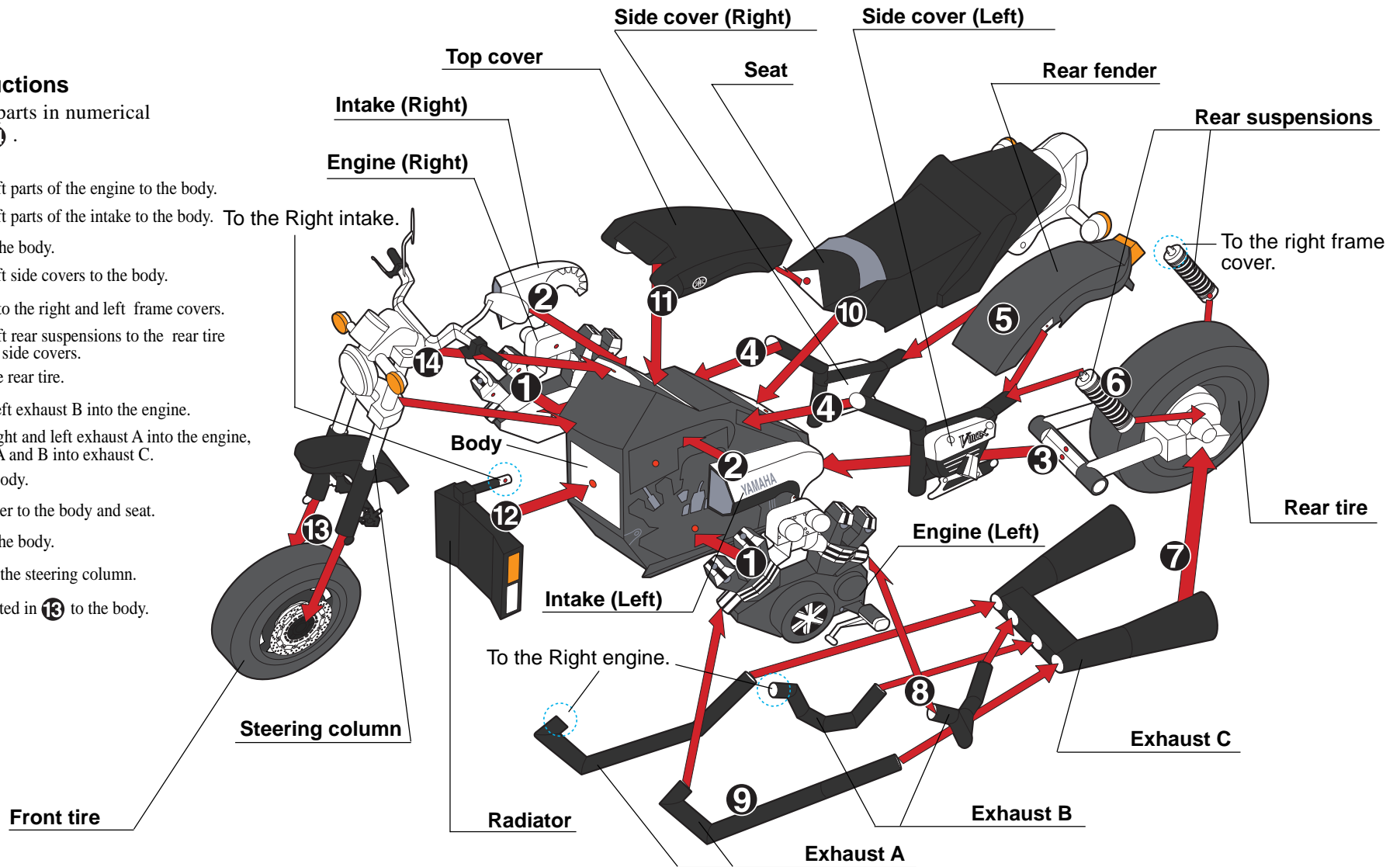
11 Finish

Please use the ● dots on each component as reference when gluing surfaces.

Assembly Instructions

glue the assembled parts in numerical order ① through ⑭ .

- ① Glue the right and left parts of the engine to the body.
- ② Glue the right and left parts of the intake to the body. To the Right intake.
- ③ Glue the rear tire to the body.
- ④ Glue the right and left side covers to the body.
- ⑤ Glue the rear fender to the right and left frame covers.
- ⑥ Glue the right and left rear suspensions to the rear tire and the right and left side covers.
- ⑦ Glue exhaust C to the rear tire.
- ⑧ Insert the right and left exhaust B into the engine.
- ⑨ After inserting the right and left exhaust A into the engine, insert exhaust pipes A and B into exhaust C.
- ⑩ Glue the seat to the body.
- ⑪ Glue the fuel top cover to the body and seat.
- ⑫ Glue the radiator to the body.
- ⑬ Glue the front tire to the steering column.
- ⑭ Glue the part completed in ⑬ to the body.



12 Assembled Model and the List of Parts

Please refer to the photo below when attaching each component.

RIGHT

FRONT

Side cover (Right)

- F-8 F-13
- F-9 F-14
- F-10 F-16
- F-11 F-18
- F-12 F-20

Top cover

- C-1
- C-2

Intake (Right)

- D-2

Body

- A-1

Engine (Right)

- | | | | |
|------|------|------|------|
| E-2 | E-16 | E-31 | E-45 |
| E-4 | E-18 | E-34 | E-47 |
| E-6 | E-19 | E-35 | |
| E-9 | E-22 | E-38 | |
| E-10 | E-25 | E-39 | |
| E-13 | E-27 | E-42 | |
| E-14 | E-30 | E-43 | |

Exhaust

- | | | | |
|-----|------|------|------|
| G-1 | G-7 | G-13 | G-19 |
| G-2 | G-8 | G-14 | G-20 |
| G-3 | G-9 | G-15 | G-21 |
| G-4 | G-10 | G-16 | G-22 |
| G-5 | G-11 | G-17 | G-23 |
| G-6 | G-12 | G-18 | |

Front tire

- | | | |
|-----|------|------|
| L-1 | L-6 | L-11 |
| L-2 | L-7 | L-12 |
| L-3 | L-8 | L-13 |
| L-4 | L-9 | |
| L-5 | L-10 | |

Rear suspension (Right)

- I-2 I-6
- I-4 I-8

Steering column

- | | | | |
|-----|------|------|------|
| B-1 | B-8 | B-15 | B-22 |
| B-2 | B-9 | B-16 | B-23 |
| B-3 | B-10 | B-17 | B-24 |
| B-4 | B-11 | B-18 | |
| B-5 | B-12 | B-19 | |
| B-6 | B-13 | B-20 | |
| B-7 | B-14 | B-21 | |

12 Assembled Model and the List of Parts

Please refer to the photo below when attaching each component.

LEFT

REAR

